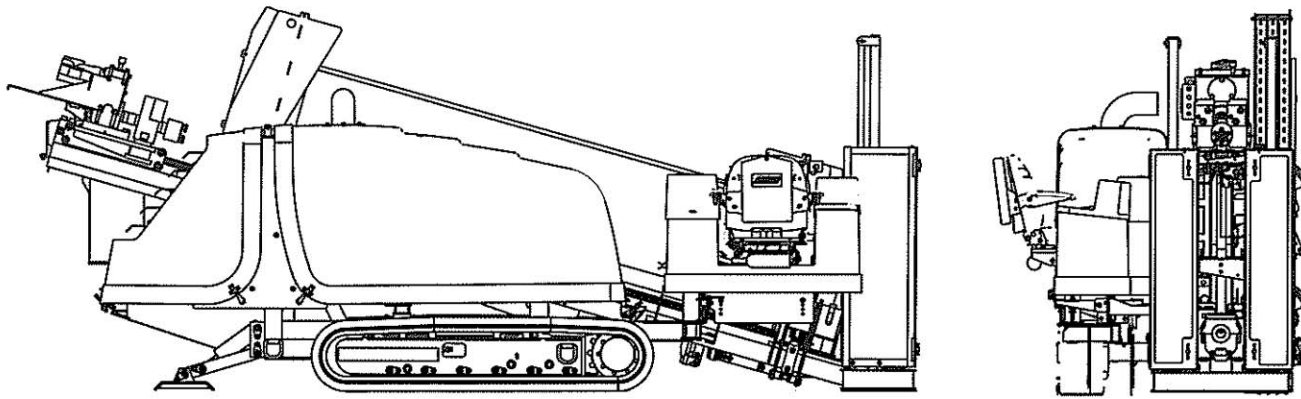


DD1416 HORIZONTAL DIRECTIONAL DRILL

For Sales & Service Contact:
2070 Queensway
Burlington, ON L7R 4L9
Ph: (905) 634-0669



- 14,000 lbs (6.35 Tonnes) maximum thrust/pullback
- 1,600 ft-lb (2,170 Nm) rotary torque
- Dual rack and pinion carriage drive
- "Cruise control" capability
- Carries 400 ft (122 m) of drill pipe
- Single multi-function joystick controls
- Quick, easy set up
- LCD multi-function operational screen
- Two-speed floating carriage

ENGINE

- Cummins B3.3C diesel
- 65 hp (48.5 Kw) @ 2200 rpm
- Fuel capacity 30 U.S gallons (113 L) (Eight-hour operating capacity)
- Hydraulic capacity 25 U.S. gallons (114L)
- Drive system: tandem pump

ROTARY DRIVE

Rotary system Pinion and gear drive, infinitely variable torque
Rotary (high torque) 1,600 ft-lb (2,170 Nm)
Maximum rotary speed 200 rpm

CARRIAGE DRIVE

Maximum thrust/pullback 14,000 lbs (6.35 Tonnes)
Carriage system Two speed floating carriage with two-pinion drive dual rack and pinion
Carriage speed Up to 120 ft/min (36.6 m/min)
Thrust frame Welded, double-sided, heavy-duty rack

DRILLING UNIT

Travel system Self-propelled on rubber tracks
Flat surface speed Up to 1.8 mph (2.9 km/h) forward and reverse
Track material Rubber
Drill angle Single pivot, maximum 16 degrees/27% grade
Wrench/clamp Open-top, vise type
Hold-down system Two powered hydraulic augers in foot and independent rear stabilizers.
Other features Multi-function LCD display and 25-ft tethered tram control

DRILLING FLUID PUMP

Onboard mud pump Quad pump
Output 0-15 gpm (56.8 L/m)
Maximum pressure 1,250 psi (86 bar)

PIPE LOADER

State-of-the-art rod loader uses 10-ft (3.05 m) stem. Onboard pipe capacity is 400 ft (122 m).

DRILL PIPE (OPTIONAL)

Length 10 ft (3.05 m)
Outside diameter (tube) 1.90 in (48.26 mm)
..... or 1.66 in (42.16 mm) optional
Tool joint O.D. 2.13 in (54.10 mm)
Fluid course625 in (15.88 mm)

PROTECTIVE EQUIPMENT

A Zap-Alert System is standard equipment. Emergency shut down switch at driller's console and tram control. The ES!LOK® exit-side lockout system is standard equipment.

APPROXIMATE WEIGHT AND DIMENSIONS

Approximate operating weight — including 400 ft (122 m) of pipe
..... 8,500 lbs (3,855.5 kg)
Width tracks: 51.5 in (1.30 m)
Height 74 in (1.88 m) @ exhaust stack during drilling
Length 197 in (5.00 m)

IMPORTANT: Astec Underground reserves the right to change these specifications without notice and without incurring any obligation relating to such change. This literature has been published for world-wide circulation. Availability of some models and equipment builds vary according to the country in which the equipment is used. The illustrations and text may include optional equipment and accessories and may not include all standard equipment. Your Astec dealer/distributor will be able to give you details of the products and their specifications available in your area.

NOTE: All specifications are stated in accordance with SAE Standards or Recommended Practices, where applicable.

© 2008 ASTEC UNDERGROUND. All Rights Reserved. ASTEC_DD1416_1_0f

ASTEC UNDERGROUND an Astec Industries Company

9600 CORPORATE PARK DR • LOUDON, TN 37774 USA • 800.527.6020 FAX 865.458.8575 • astecunderground.com

