

# ASTECC

# ML185

Hydrostatic Drive  
Chain Trencher



- 185 hp powertrain
- Compact size
- Rugged construction
- Optional Rock Saw available!

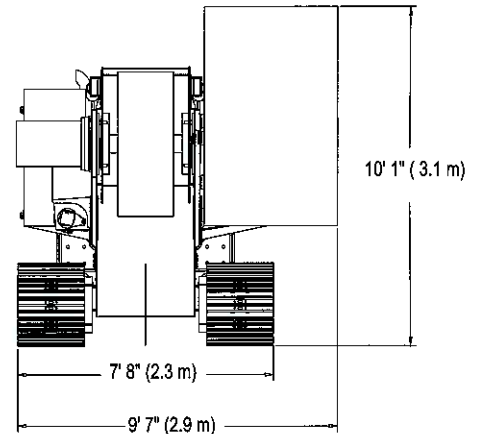
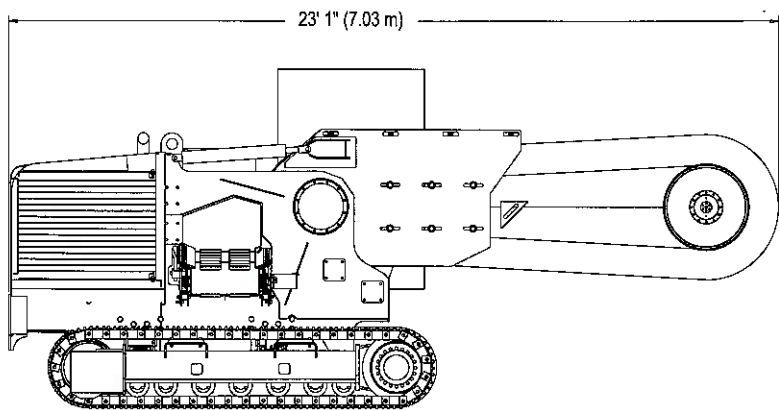


PHOTOS SHOW OPTIONAL EQUIPMENT

- **Field-Proven Hydrostatic Trencher Drive**
- **Operator-friendly controls for easy operation**
- **Infinitely variable trenching speeds for varying ground conditions**
- **30" Tailwheel provides smooth chain operation**
- **Machine leveling capability for trenching on sloped surfaces**
- **Low profile digging chains for optimum tooth penetration**
- **Easy access to routine service points**
- **Reversible conveyor for precise spoil placement**

# ML185 Specifications

## Weights & Dimensions



- Transport Mode:
- Transport Height: 120"
  - Transport Width: 100"
  - Ground Clearance: 12"
  - Approximate Shipping Weight: 26,000 - 34,000 lbs (11,793 - 15,422 kg)

## Engine

- Type: Cummins C8.3 Turbocharged, after-cooled diesel
- Horsepower: 185hp (138 kW) @ 2200 RPM
- Torque: 631 ft-lbs (836 N\*m) @ 1500 RPM
- Cooling System: AKG Cooling Package rated for continuous operation @ 120° F (49° C)

## Fuel Capacity

- 100 Gallon (378 L)
- 10 hrs capacity
- Single filter w/ water separation
- Cab mounted fuel gauge
- Approximately 9.5 gallon (36 L) per hour consumption

## Hydraulic System

- Durst Pump drive
- Dual Hydrostatic Track pumps
- Rated @ 5000 psi
- 33 gpm max flow
- Auxiliary Pump rated at 3000 psi
- Pressure and flow compensating
- 27 gpm max flow
- Variable displacement Trencher drive pump
- 79 gpm max flow
- 57 Gallon (215L) Hydraulic Reservoir capacity

## Track Drive

- Berco (FL6) tracks, rollers and tensioner
- Closed loop Hydraulic drive motor w/ planetary final drive gearboxes
- Variable displacement pumps
- 2 speed motors
- Length: 111" (Centerline to Centerline)
- 18", 20" or 24" wide track pads available
- Single, double or triple grousers available
- Spring applied, hydraulic release parking brakes
- Low Ground Pressure--5.3 psi (w/ 6 ft. boom, Enclosed Cab, 24" Track Pads)

## Speed / Gradeability

- Transport: Infinitely variable from 0 - 1.9 mph (3.2 kph)
- Work: Infinitely variable from 0 - .8mph (1.3 kph)
- Gradeability: 50%
- Maximum Cross Slope 18% (10°)

## Trencher

- Hydrostatic drive thru planetary gearbox
- Boom Travel
  - Up 10°
  - Down 58°
- End Idler 30" diameter w/ forged O.D. to limit wear
- Chain Speed
- Dirt/soft rock: (0 - 740 fpm)
- Hard rock: (0 - 420 fpm)
- Trench Depth: 4' - 8'
- Trench Width: 12" - 26"
- Single or dual drive sprockets (Bolt-on, split sprockets for serviceability)

## Spoil Conveyor

- Belt Speed: 0 - 1000 fpm (left or right)
- Belt Width: 24"
- Discharge Height: 51" - 55"
- Shift Travel: 31.5"

## Options

- Truck Loading Conveyor
- Automatic depth control via laser interface
- Rigid Tracks
- Enclosed operators station - Pressurized, A/C and heat
- Rock Saw Attachment available

Contact Your Local Astec Dealer



2070 Queensway Drive, P.O. Box 1338 Burlington,  
ON L7R 4L9 Ph: (905) 634-0669 Fax: (905) 634-6685  
info@trenchlessutility.com



Due to our continuing product improvement, specifications are subject to change without notice.  
Headquarters: Astec Underground • 9800 Corporate Park Drive • Loudon, Tennessee 37774 USA  
USA Toll Free: 800-527-6020 • Tel: 865-408-2100 • Fax: 865-458-8575  
www.astecunderground.com

