

T1360

MECHANICAL DRIVE
CHAIN TRENCHER

TRENCOR

by ASTEC

For Sales & Service Contact:
2070 Queensway
Burlington, ON L7R 4L9
Ph: (905) 634-0669

TRENCHLESS
UTILITY EQUIPMENT INC.



7 Advantages

Trencor: The "Original" Mechanical Powertrain

Earth Pro[™]
Series

- Increased torque
- Increased productivity
- Broader range of chain speeds
- Reduced fuel cost
- Ease of repair
- Lower repair cost
- Long machine life

BREAKTHROUGH SOLUTIONS

T1360 Mechanical Drive Chain Trencher



The Trencor line of high-performance rock trenchers, surface miners, road miners, and related equipment rounds out Astec Underground's broad lineup of underground construction solutions. Trencor has more than 60 years of experience in the highly specialized trenching industry, serving the construction and oil and gas markets. The Trencor line-up includes six different trencher models that can be configured to meet custom applications.

Trencor products are manufactured at the company's 360,000 square-foot facility in Loudon, Tenn., along with the Astec utility trenchers. American Augers products are produced at our factory in West Salem, Ohio.

The seeds of the company now known as Trencor were sown in 1945 in Alhambra, Calif., with the establishment of the Jiffy Excavator Tooth Company, which later became known as Dallas Jetco. In 1981, Trencher Corporation of America (Trencor) was established in Grand Prairie, Tex. The company manufactured chain type trenchers, while Dallas Jetco specialized in wheel trenchers. Trencor purchased Dallas Jetco in 1984 and changed the name of the combined operation to Trencor Jetco. Four years later, Astec Industries, Inc., acquired the thriving business, and provided additional resources for capital investment and growth. The company moved to the Grapevine, Tex., location in 1994, and shortened its name to Trencor. Manufacturing operations moved to Loudon, Tennessee in 2003.

Trencor machines are supported through a dedicated parts and service center, available 24-hours a day to help customers minimize downtime and get needed repair parts.

Visit www.astecunderground.com to learn about the full line of Astec Underground products or to contact the company for more information.

OPTIONAL EQUIPMENT

A CRUMB SHOE IS AVAILABLE TO ENSURE A CLEAN TRENCH. ROAD MINER ATTACHMENT IS AVAILABLE FOR WIDER, DEEPER CUTS IN A SINGLE PASS, IDEALLY SUITED FOR CERTAIN QUARRY OPERATIONS, ROAD CONSTRUCTION, BUILDING FOUNDATION WORK, AND MASS ROCK REMOVAL.



RELIABLE TRENCHER DRIVE SYSTEM

PROVEN CHAIN-DRIVEN HEAD SHAFT WITH CHAIN DRIVES FULLY ENCLOSED IN AN OIL BATH FOR LONGER LIFE. PROVIDES LOWER OPERATING COSTS THAN HYDRAULIC PUMPS AND MOTORS.

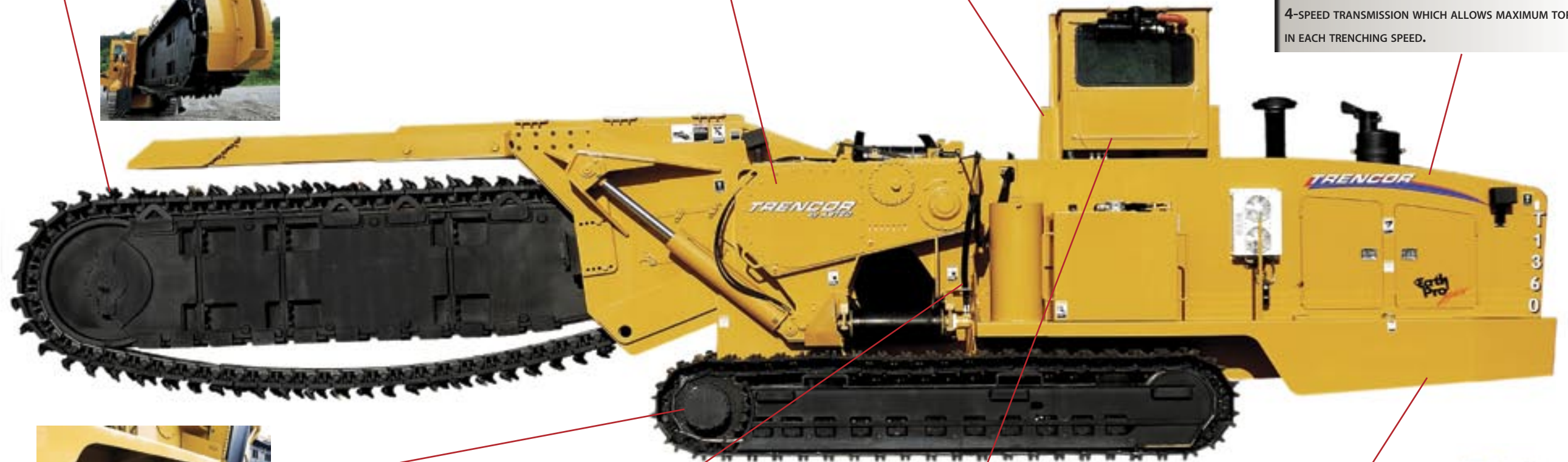


SAFETY FIRST

LOCATION OF CAB PROVIDES OPERATOR PROTECTION FROM TRENCHING HAZARDS AND FROM CONVEYOR AND TRENCHER BOOM. CAB MEETS ALL ISO CERTIFICATIONS FOR ROLLOVER AND CRUSH TESTS.

CLEAN POWER

C-13 TIER 3 STAGE IIIA CATERPILLAR 440-HORSEPOWER ENGINE, MEETING ALL EMISSIONS STANDARDS, TRANSMITS POWER TO THE DIGGING CHAIN THROUGH A PROVEN 4-SPEED TRANSMISSION WHICH ALLOWS MAXIMUM TORQUE IN EACH TRENCHING SPEED.



SEALED AND LUBRICATED

SEALED AND LUBRICATED TRACK DRIVE PROVIDES EXTENDED LIFE AND REDUCED MAINTENANCE COSTS.



LATEST TECHNOLOGY

WINDOWS-BASED LOAD CONTROL SYSTEM THAT REGULATES TRENCHER AND TRACK SPEEDS RAPIDLY TO MAINTAIN PERFORMANCE AND REDUCE ENGINE STALLS AND MACHINE WEAR.

RUGGED FRAME CONSTRUCTION

UNIBODY TRACTOR FRAME IS STRONGER THAN TUBE AND BOLT-ON SHEET METAL DESIGNS. EXTRA-LONG, WELDED, HEAVY-DUTY UNDERCARRIAGE ATTACHES TO 2-IN. THICK MAIN FRAME AND BOOM.



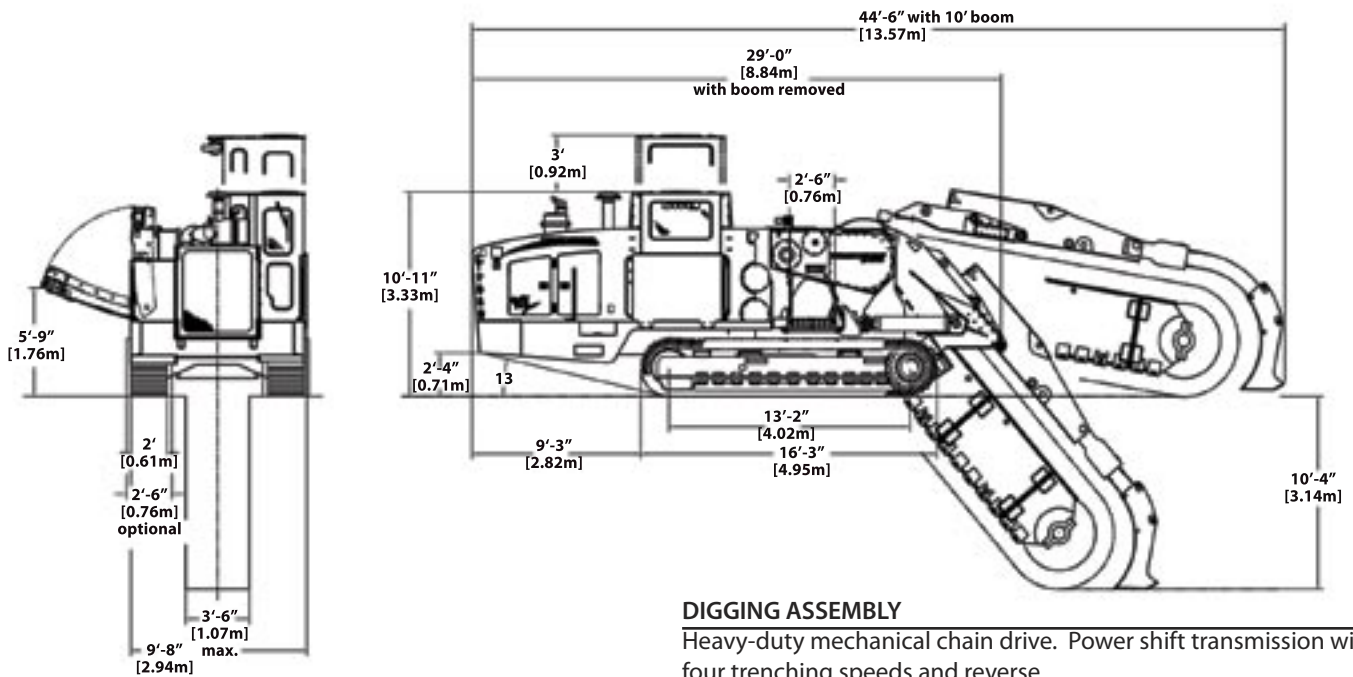
RUNS COOL, LASTS LONGER

HIGH-VOLUME (200-GALLON) HYDRAULIC SYSTEM ONLY OPERATES TRACKS, CONVEYOR, CONVEYOR SHIFT, AND BOOM LIFT TO KEEP PUMPS AND MOTORS COOLER, MAKING THEM LAST LONGER AND OPERATE MORE EFFICIENTLY.



BREAKTHROUGH SOLUTIONS

T1360 Mechanical Drive Chain Trencher



ENGINE

- Caterpillar C13 Acert turbocharged diesel, Tier 3 Stage IIIA emissions
- 440 hp (328 Kw) @ 2100 RPM
- 1483 ft-lbs (2011 N-m) @ 1400 RPM
- Fuel rate consumption: 22.8 Gal (86.3L)/hour at full horsepower
- 24-volt DC electrical system
- Cooling system — up to 125 F ambient (52 C)
- Heavy-duty 2-stage air cleaner

FUEL CAPACITY

Dual tanks 250 gal. (946 L)
 Operation 11 hours at full horsepower

HYDRAULIC SYSTEM

Single bolt-on tank 200 gal. (757 L)
 Crawler drive Closed loop piston pumps
 Conveyor drive Closed loop piston pumps
 Accessory Open loop

TRACK DRIVE

Infinitely variable hydrostatic/mechanical
 Speed 2 mph (3.2 kph)
 Track control Independent proportional electric over hydraulic
 Load control Microcontroller with bypass
 Crawlers Cat D-7 components
 Grouser 24-inch (610 mm) wide, low-profile double grousers

OPERATOR STATION

Fully enclosed, air conditioned, heated, and pressurized cab
 Elevation 36 in. (915 mm)

DIGGING ASSEMBLY

Heavy-duty mechanical chain drive. Power shift transmission with four trenching speeds and reverse.
 Tailwheel: 48-in. (1219 mm) diameter **forged** (not plate welded) ring
 Trench depth
 6-, 8-, and 10-ft. primaries (1829-, 2439, and 3048-mm)
 2-, 4-, and 6-ft. extensions (610-, 1219-, and 1829-mm)
 Trench width
 Double D7 on 10-in. centers 26 to 36 in. (660 to 915 mm)
 Double D7 on 16-in. centers 32 to 42 in. (813 to 1067 mm)
 Single D8 16 to 20 in. (406 to 508mm)
 Double D8 on 12-in centers 32 to 42 in. (813 to 1067mm)
 Double D8 on 16-in. centers 32 to 42 in. (813 to 1067mm)

CONVEYOR

Arc type conveyor with hydraulic shift
 Belt width 30 in. (762mm)
 Belt speed 0 to 800 fpm (244 mpm)

ADDITIONAL STANDARD ITEMS

- Bottom tail wheel transition wear plates
- Noise abatement equipment
- Personnel guard
- Work lights (2 fore/2 aft)

OPTIONAL EQUIPMENT

- Automatic laser control for grade
- Automatic laser control for steering
- Auxiliary truck loading conveyor
- Road Miner attachment
- Berm scrapers
- Crumber shoe
- Cold weather package

APPROXIMATE WEIGHT AND DIMENSIONS

Weight 138,000 - 148,000 lbs. (62,596 - 67,131 Kg)
 Width 9 ft., 9 in. (2,972 mm)
 Height 11 ft. (3,353 mm)
 Length 29 ft., 1 in. (8,865 mm)
 Transport length (with 8-foot boom) 38 ft. (11,582mm)

IMPORTANT: Astec Underground reserves the right to change these specifications without notice and without incurring any obligation relating to such change. This literature has been published for world-wide circulation. Availability of some models and equipment builds vary according to the country in which the equipment is used. The illustrations and text may include optional equipment and accessories and may not include all standard equipment. Your Astec dealer/distributor will be able to give you details of the products and their specifications available in your area.

NOTE: All specifications are stated in accordance with SAE Standards or Recommended Practices, where applicable.

© 2006 ASTEC UNDERGROUND. All Rights Reserved. TREN_1360_11_06